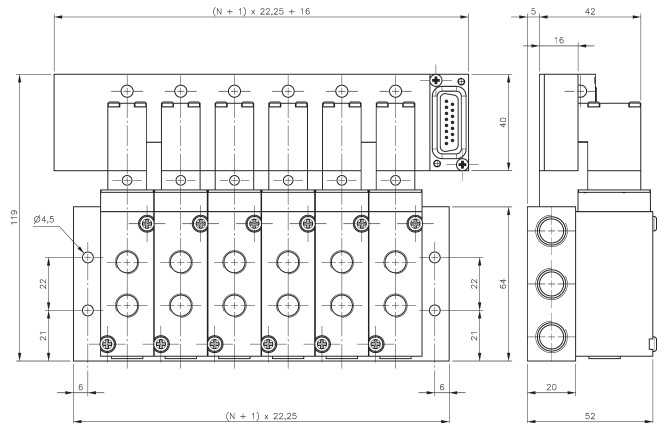


T_22 5__ 503/T_22 5__ 703



T_22 5__ 503
equipped with valves type 503 T

Valve terminal with 5-way valves, ports 2 and 4 are in the valve.

Type 503 orifice size 5 mm, G 1/8"

Type 703 orifice size 7 mm, G 1/4"

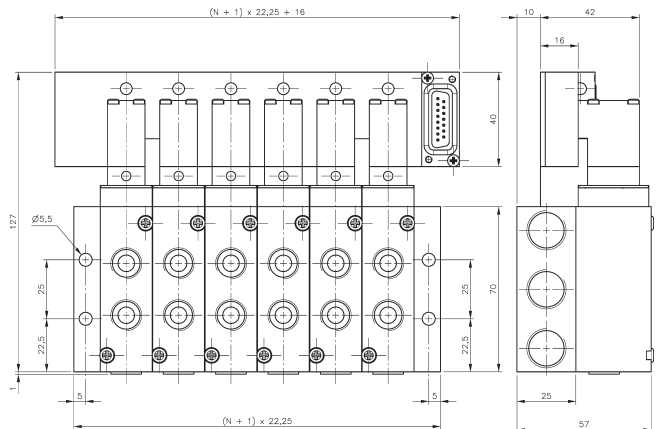
The terminal is available with 2, 3, 4, 5, 6, 8, 10, 12 positions, others on request. Every station is equipped with a varistor and a red LED for coils 24 V= or 24 V~.

The pneumatic manifolds are displayed and described on page 2.7.2.2 type R 5__ 503, on page 2.7.2.3 type R 5__ 703.

Valves for terminal use offer a 1.8 Watt / 3 VA solenoid, turned by 180° and no 3rd pin (ground).
Order-number valves:

MK 5__ 03 T 24DC or MK 5__ 03 T 24AC.

Blanking plates are also available type BP 5 503 T or type BP 5 703 T.



T_22 5__ 703
equipped with valves type 703 T

The following valves can be used on T_22 5__ 503:

Type	Function	Page	Comment
MK 510 503 T	single sol.	2.5.2.2.2	
MK 520 503 T	double sol.	2.5.2.2.6	double body
MK 53_ 503 T	5/3-way	2.5.3.2.2	double body, 3 versions available, refer to description

The following valves can be used on T_22 5__ 703:

Type	Function	Page	Comment
MK 510 703 T	single sol.	2.5.2.2.2	
MK 520 703 T	double sol.	2.5.2.2.6	double body
MK 53_ 703 T	5/3-way	2.5.3.2.2	double body, 3 versions available, refer to description

For additional order information please refer to page 2.8.1.