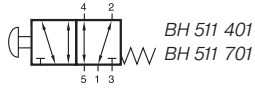
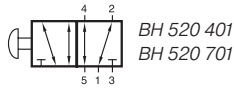


BH 511 401/BH 520 401 BH 511 701/BH 520 701



BH 511 401
BH 511 701



BH 520 401
BH 520 701



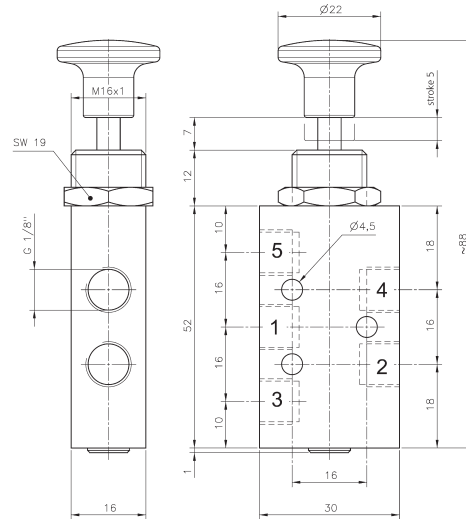
Manually actuated 5/2-way spool valve either with spring return to outer position (type 511) or with two stable positions (type 520).

Normally open from port 1 to 2 and from port 4 to 5. Operated open from port 1 to 4 and port 2 to 3.

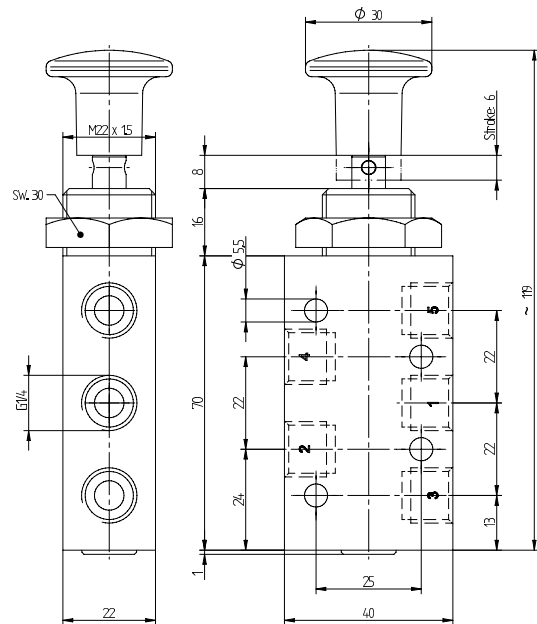
Exhaust can be throttled.

Suitable for wall or panel mounting. Nut for panel mounting, M16 x 1 for G 1/8"-valves or M22 x 1,5 for G 1/4"-valves is included.

Selected valves can be used for technical vacuum too.



BH 511 401/BH 520 401



BH 511 701/BH 520 701

Type	Port size	Air flow	Operating press.	Actuating force	Weight
BH 511 401	G 1/8"	450 l/min	1 - 10 bar	11 N	0,080 kg
BH 520 401	G 1/8"	450 l/min	1 - 10 bar	12 N	0,080 kg
BH 511 701	G 1/4"	1250 l/min	-0,9 - 10 bar	17 N	0,180 kg ❄️
BH 520 701	G 1/4"	1250 l/min	-0,9 - 10 bar	18 N	0,180 kg ❄️